



**KPPX/KPXX Series**  
*Snap and Lock PCB and Cable Mount*

**Features** 

- Laptop Computers, Power Supplies and Other Portable Digital Equipment Applications
- Snap and Lock Feature Helps to Prevent Accidental Disconnects
- 3 or 4 Pins Transmit Power, or One Pin Can be Used For Signal Transmission
- For Signal and DC Power Applications
- Plugs Supplied in Kits Ready for Assembly
- CSA/NRTL Certified File No. LR78160

**Performance Specifications**

**Materials and Finish**

**Jack**

Shield: Tin Plated  
Body: PBT UL94 V-0 Rated

**Plug**

Body: ABS UL94 HB

**Electrical Characteristics**

**Contact Rating**

- 3 Position** : Pin 1 and 2, 20V DC at 7.5A Max.,  
Pin 3, 20V DC 1.0A Max.
- 4 Position** : 20 V DC 7.5A Max. for all Pins
- Insulation Resistance** : 50 Megohms Min. at 250V DC
- Dielectric Strength** : 250V AC for 1 Minute
- Contact Resistance** : 30 Milliohms Max.

**Mechanical Characteristics**

- Durability Test : 1000 Cycles
- Suggested Wire Awg. #18 for Power Wires, #24 for Signal Wire

**DC POWER CONNECTORS**

**KPXX / KPPX Series**

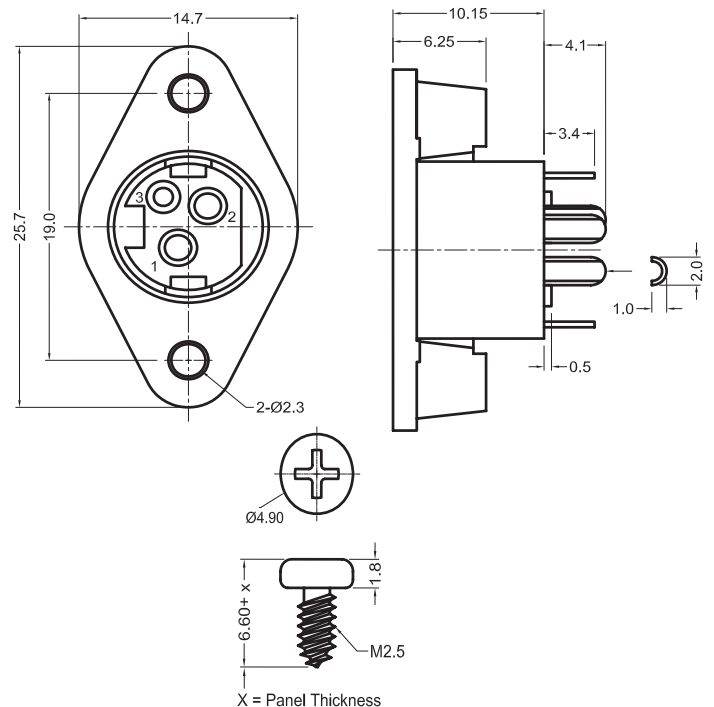
**Documentation & Ordering Information**


**Kycon Part #**

**Part Number Builder**

Series	Mounting Option	No of Contacts	Contact Type	Shield Option
<b>Series</b>				
KPXX - Right Angle PCB Mount Receptacle				
KPXXHT - High Temp				
KPPX - Snap and Lock DC Power Plug Cable Mount				
<b>Mounting Option</b>				
Blank - PCB Mount				
CM - Cable Mount (KPXX Only)				
PM - Panel Mount (KPXX Only)				
<b>Number of Contacts</b>				
3 Pin				
4 Pin				
<b>Contact Type</b>				
S - Socket (KPXX Only)				
P - Plug (KPPX Only)				
<b>Shield Option</b>				
Blank - Non-Shielded				
S - Shielded (KPXX, KPXX-PM and KPXXHT only)				

KPXX-PM-3S-S

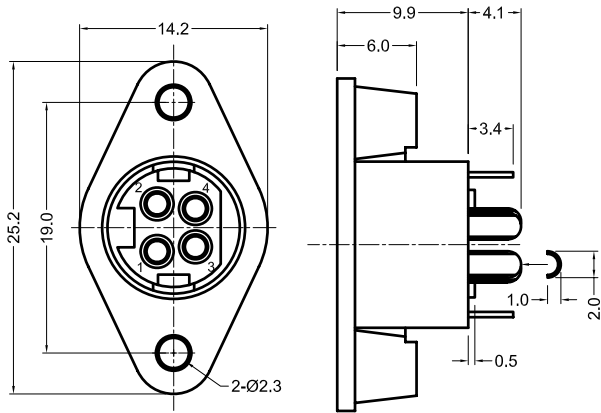


[Click Here for KPPX Assembly Instructions](#)

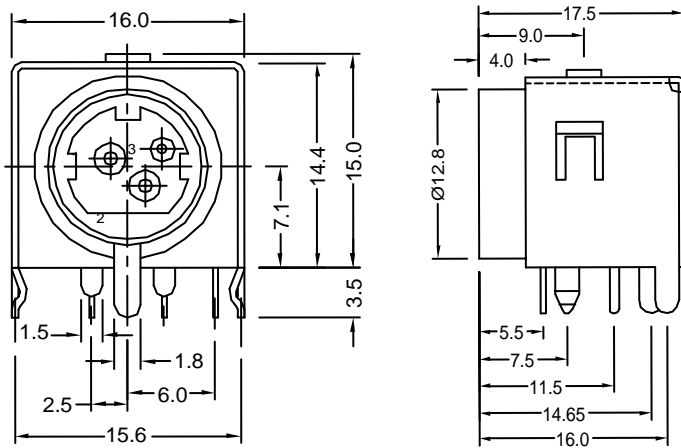
**KPJX Series Dimensions**

Dimensions in mm

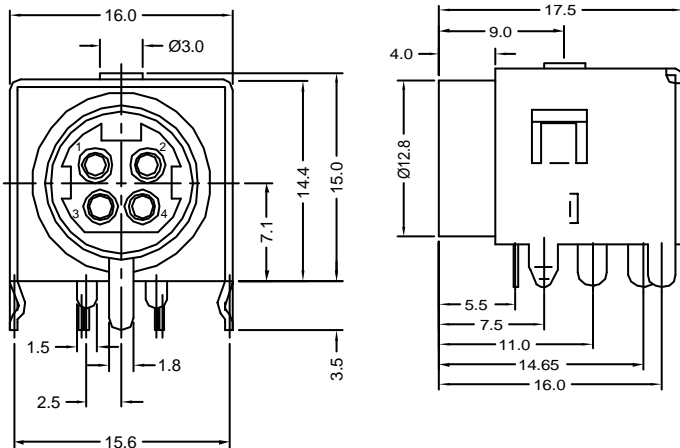
**KPJX-PM-4S**



**KPJX-3S-S**



**KPJX-4S-S**



**KPPX Series Dimensions**

Dimensions in mm

